



TECORP-GROUP

# HC2-E1000 AC MOTOR DRIVE



## Operation Guidance

### § Notice:

1. The AC motor drive is applied for general three-phase motor and speed adjustment.
2. Please ensure that the installation environment has safety equipments.
3. This product is not able to be used to a motor for non-industrial purpose.
4. The warranty will not cover artificial causes.



**MODEL: HC201D5E24A**  
**INPUT: 3PH 220V 50HZ/60HZ**  
**OUTPUT: 3PH 220V 7.0A 150% 60S**  
**FREQ RANGE: 0.1-400HZ 1.5KW**

## Model Description

HC2 01D5 E 24 F

- Version: F (overseas version)
- Voltage: 24 (AC 200 -240V)  
48 (AC 380-460V)
- Model E1000
- Capacity: 0.4-0.15KW
- Series Name

## Dimensions (unit:mm)

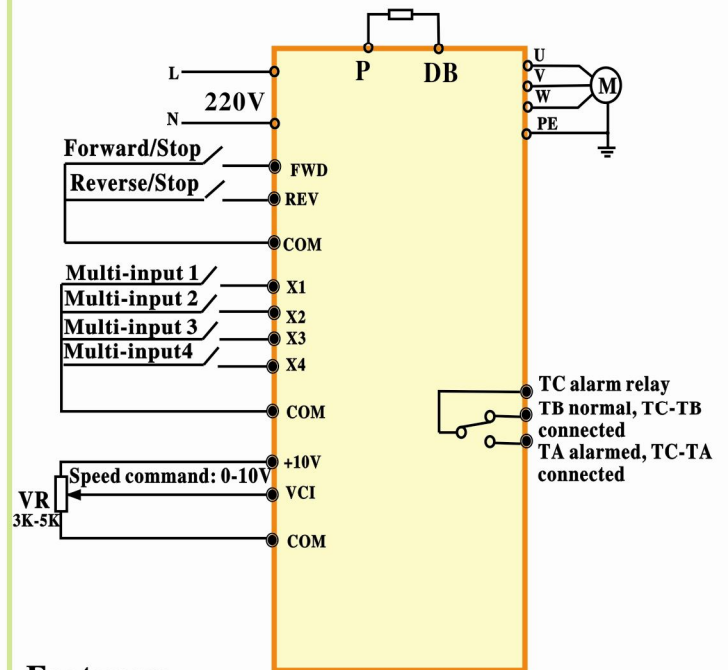
§ The external tray of operation panel is 75.5mm \* 54.5mm in size.

Model	L	W	H	L1	W1	Hole Diameter	Net KG	Gross KG
HC200D4E24A	141.5	85	113	130.5	74	5	0.82	1.0
HC20D75E24A								
HC201D5E24A								
HC20D75E48A	151	100	111.7	139.6	88.6	5.2	1.1	1.3
HC201D5E48A								
HC202D2E48A								

# Specification

Items		Description
Input	Rated Voltage, Frequency	1/3-phase -220V~50/60Hz
	Allowable Voltage	1/3-phase -170~240V
Output	Allowable Voltage	1/3-phase- 170~240V
	Frequency	0.10~400.0Hz
Control Mode		V/F control
Display		Five-digit LED display, Indicator display; Display setup frequency, Output frequency, Output current, DC voltage, Module temperature, Running state, and fault
Control Function	Frequency Setup	Digital setting: 0.01 Hz. Analog setup: 0.1% of maximum output frequency
	Frequency Accuracy	0.1Hz
	V/F Control	Changeable V/F curve by setting
	Torque Control	Auto raising torque by loading condition; Manual increase: enable to set 0 to 20 % of raising torque
	Input Terminal	4 multi-function input, take 15 speed control, process, 2 sets of acceleration/deceleration
	Output Terminal	1 set of alarm
Other Function		Analog input 0~10V, 8 steps of multi-speed, auto stable voltage

## Basic Wiring Diagram



### Features:

- 1.Fujitsu CPU and Mitsubishi / Fairchild IGBT
- 2.Economical, Easy and Simple Model

## Products Range

Model	Input	Output Power	Rated Capacity	Output Current	Overload ability	Suitable Motor
			KVA	(A)	(60s)(A)	KW
HC200D4E24A	1/3 Phrase 220V-50/60Hz	0.4	1.0	2.5	3.75	0.4
HC20D75E24A	1/3 Phrase 220V-50/60Hz	0.75	2.0	5.0	7.5	0.75
HC201D5E24A	1/3 Phrase 220V-50/60Hz	1.5	2.8	7.0	10.5	1.5
HC20D75E48A	3-Phrase380V-50/60Hz	0.75	2.2	Under Develop		
HC201D5E48A	3-Phrase380V-50/60Hz	1.5	3.2			
HC202D2E48A	3-Phrase380V-50/60Hz	2.2	4.0			

## TECORP Electronics Co., Ltd.

3F-3, No.12, Lane 609, Sec.5, Chung Hsin Rd.,  
 San Chung Dist., New Taipei City, Taiwan  
 Tel: +886-2-29991466  
 Fax: +886-2-29992691  
<http://www.tecorp-group.com.tw>  
 E-mail:tecorp@ms11.hinet.net

Due to ongoing product modification/improvement, data subject to change without notice.